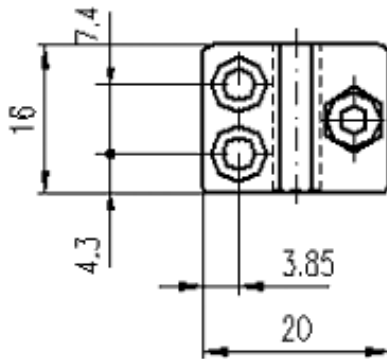
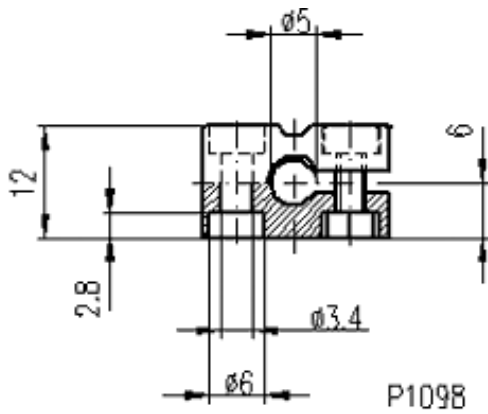


## Accessories: Mounting unit BES 05.0-KB-3



### Common Data

Version

clamp

Usable with

clamp without positive stop for  
sensors D=5mm

### Mechanical Data

Measurements WxHxD or Dia x D

20x16x12

Material

PA6

Mounting

with 2 screws M3

Datasheet number::

Definitions see general catalog.

If not otherwise noted, ratings according to  
IEC 60947-5-2 (DIN EN60947-5-2)

Balluff GmbH  
Schurwaldstrasse 9  
73765 Neuhausen a.d.F.  
Phone (07158) 173-0 Fax (07158) 5010

Datenblatt by CD-ROM - 04/2007

**BALLUFF**  
sensors worldwide